



HTV ® HOOKS
Technology for Stowage
2016

TwistLock NICO





NICO AUTOMATIC TWISTLOCK

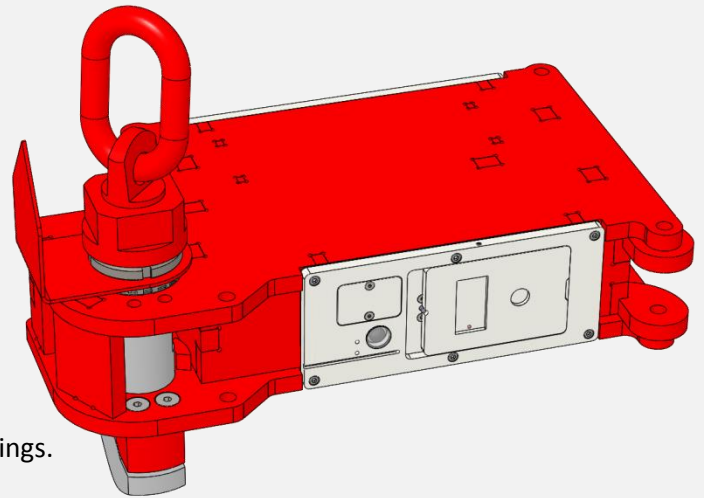
NICO MODEL

The NICO Automatic TwistLock is a load-lifting accessory conceived for the automatic remote coupling and uncoupling of loads via radio signals, using ISO 1161 corner fittings. It is easy to install and can be adapted to all types of lifting machinery capable of bearing corresponding loads.

NICO 7 tonnes

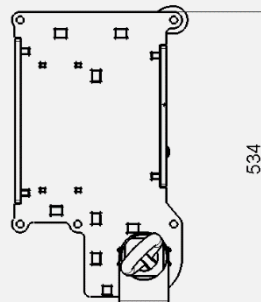
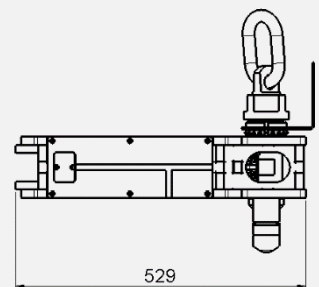
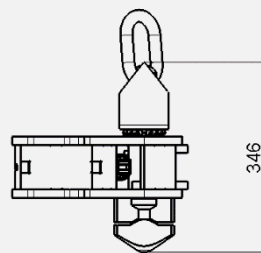
BASIC MODEL

- Capacity: 7 Tonnes
- Coupling for ISO 1161 corner fittings.
- F factor of Safety: 4
- Communication via radio signal
- Safety code controlled unlocking system.
- Unlocking prevention system when bearing loads.
- Designed in compliance with DIN EN 13155, EN 60529, CE marking



OPTIONAL FEATURES

- Load cell weighing
- Resistance heating
- Additional LED indicator
- Positioner





DESIGN, MANUFACTURING AND LOGISTICS

POLÍGONO INDUSTRIAL AL-KANIS NAVE 2, 25124, ROSSELLÓ, LLEIDA, SPAIN

TELEPHONE: 0034 973 730 059

MOBILE: 0034 601 350 299

INFO@HOOKSHTV.COM

ADMINISTRATION AND SYSTEMS

EDIF. PUERTA DE SANTANDER S/N, POLÍGONO DE RAOS, 39011, SANTANDER, CANTABRIA, SPAIN

TELEPHONE: 0034 942 356 394

CONTABILIDAD@HOOKSHTV.COM